

ZSFY-A Load cell



■ Load cell ZSFY-A for 10t~50t

Description	Features	Applications
Welded sealing, high precision, easy installation, wide application with related accessories	<ul style="list-style-type: none"> ■ Rated load: 10~50t ■ High precision, easy installation ■ Made of high quality alloy steel ■ Welded sealing 	<ul style="list-style-type: none"> ■ Truck scale ■ Floor scale ■ Axle wheel scale

Specifications

PARAMETER	VALUE	UNIT
Rated capacity(Emax)	10,15,20,25,30,40,50	t
Accuracy class ¹⁾	C3	
Max. no. of verification intervals	3000	
Minimum load cell verification interval	Emax/10000	
Rated output	2±0.002	mV/V
Zero balance	3%	± %FSO
Repeatability error	0.0166	± %FSO
Non-linearity ²⁾	0.0166	± %FSO
Hysteresis error ²⁾	0.0166	± %FSO
Creep (30 minutes)	0.0166	± %FSO
Temp. effect on min. dead load output	0.014	± %FSO/10°C
Temperature effect on sensitivity ²⁾	0.0117	± %FSO/10°C
Maximum safe over load	150	%Emax
Ultimate over load	250	%Emax
Excitation voltage	10~12	V
Maximum excitation voltage	15	V
Input resistance	700±20	Ω
Output resistance	706±7	Ω
Insulation resistance @ 50 VDC	≥5000	MΩ
Compensated temperature range	-10 to 40	°C
Operating temperature range	-30 to 70	°C
Material	Alloy steel	
Sealing	Hermetic ally welded	
Protection class	IP68	

◎ FSO - Full Scale Output

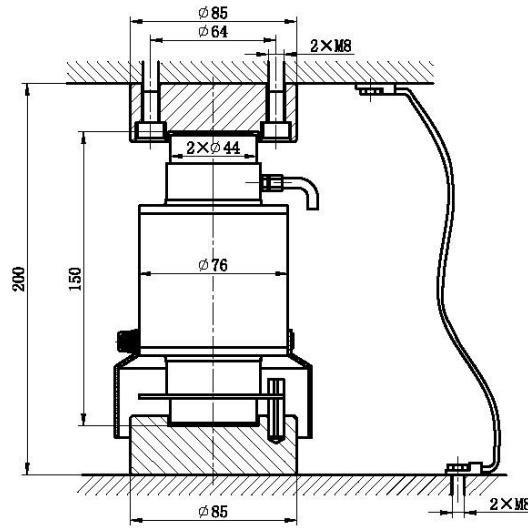
◎ The value of linearity, hysteresis and temperature effect on sensitivity may differ in particular case.

Notes:

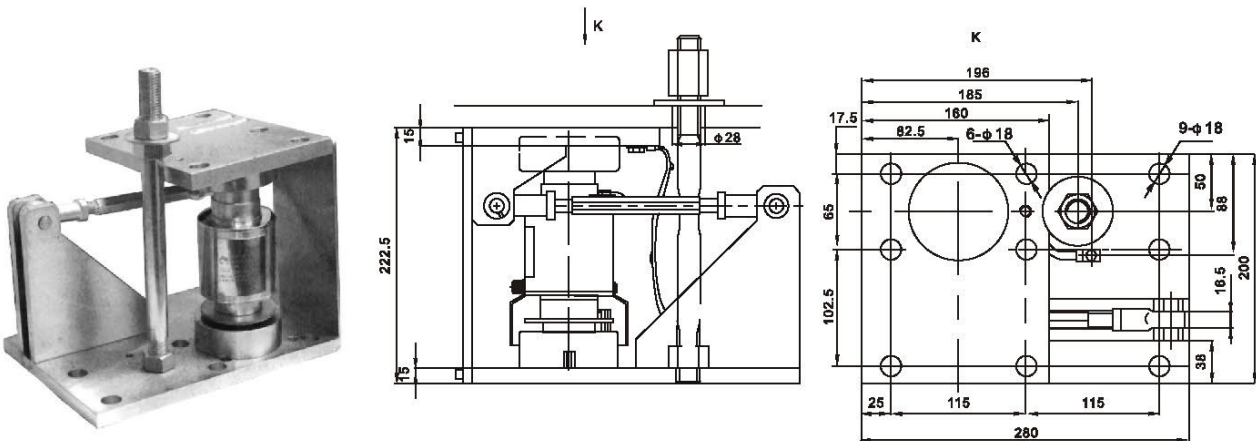
¹⁾ According to OIML R60 with P_{1c} = 0.7

²⁾ The sum of data for Non-linearity, Hysteresis and Span TC meets the requirements of OIML R60.

Outline dimensions



Weighing module



Cable assignment of the load cell

Cable

4-wires(PVC or polyurethane)

cable length: 8m(10t),10m(15t),12m(20~25t),
14m(30t),16m(40~50t)

cable diameter: $\phi 5\text{mm}$



Other

Product weight without package (reference): Units:kg

Model	10t	20t	25t	30t	40t	50t	Module
Weight	2.9	3.2	3.3	3.4	3.6	3.7	17

Optional accessories:compressor,module accessory