

Introducing...the new

OCS-L

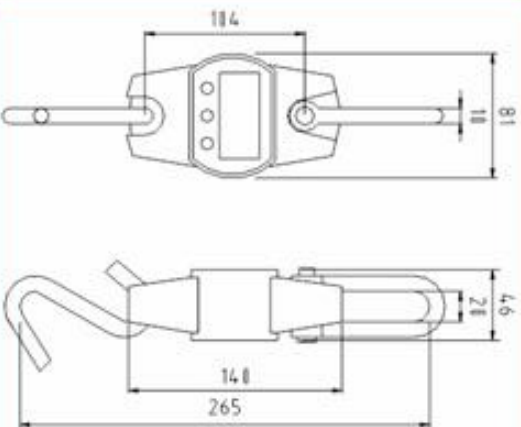
- Battery Supervision
- Unit Switch
- Tare
- Auto power-off
- Overload Alarm



- Aluminium die-casting case
- 20mm LCD display with backlight
- Stainless Steel shackle and hook
- AA*3 Battery
- Waterproof Panel
- Capacity: 300kg

FEATURES:

**CLOVER SCALES
(PTY) LTD**



<u>Accuracy Class</u>	<u>OIML III</u>
<u>Tare Range</u>	<u>100% F.S</u>
<u>Zero Range</u>	<u>4% F.S</u>
<u>Safe Overload</u>	<u>120% F.S</u>
<u>Overload Alarm</u>	<u>100% F.S +9e</u>
<u>Battery</u>	<u>AA*3</u>
<u>Battery Life</u>	<u>>100h</u>
<u>Temperature Range</u>	<u>-10°C~40°C</u>
<u>N.W</u>	<u>540g</u>

Optional Colours:

